











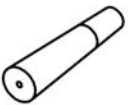







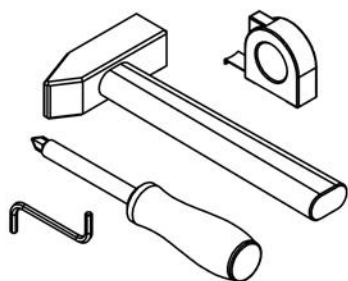
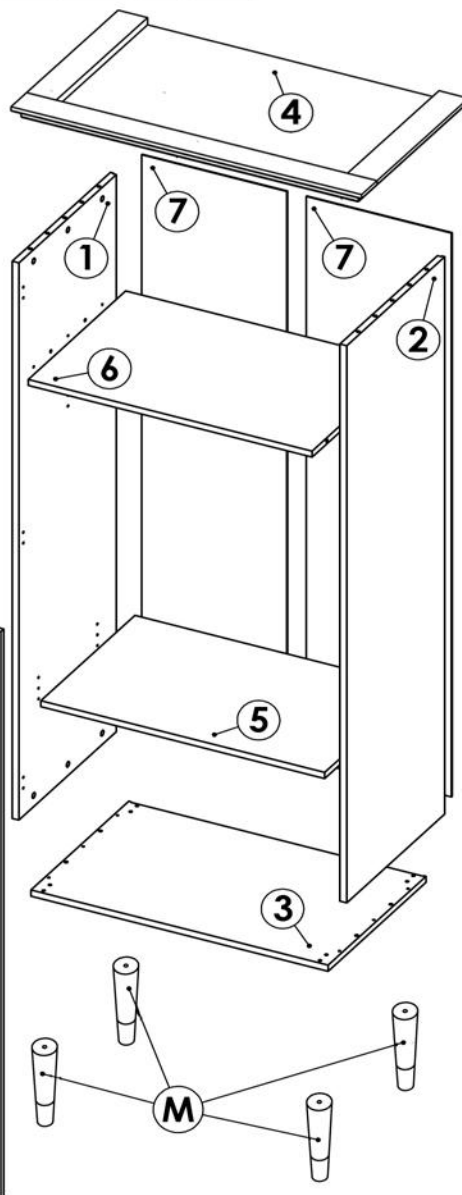
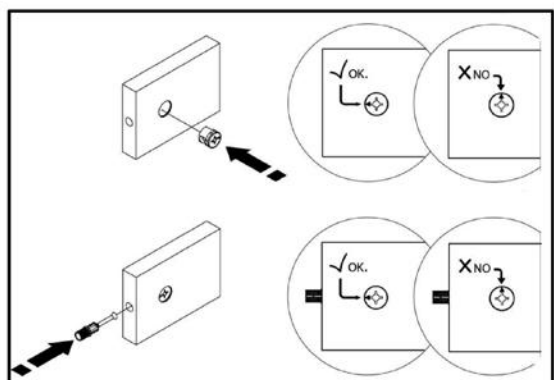


WARDROBE 2 DOORS CLOE BLACK

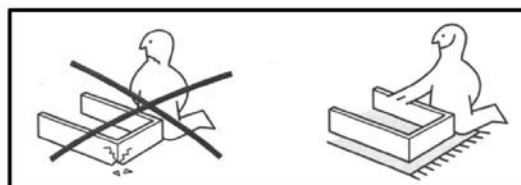
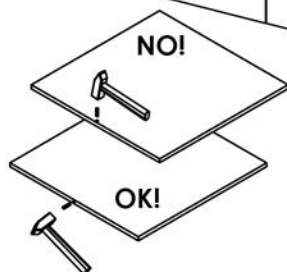
Art code: 116 22 012

22/04/2021




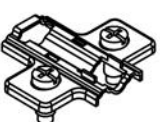


		 8x30		 3,5x13			
A x12	B x12	C x12	D x4	E x18	F x1	G x20	H x2
							 4x22
I x2	J x6	K x6	L x4	M x4	N x1	O x1	T x2
				 TITUS	 TITUS		
P x1		Q x1		R x6	S x6		

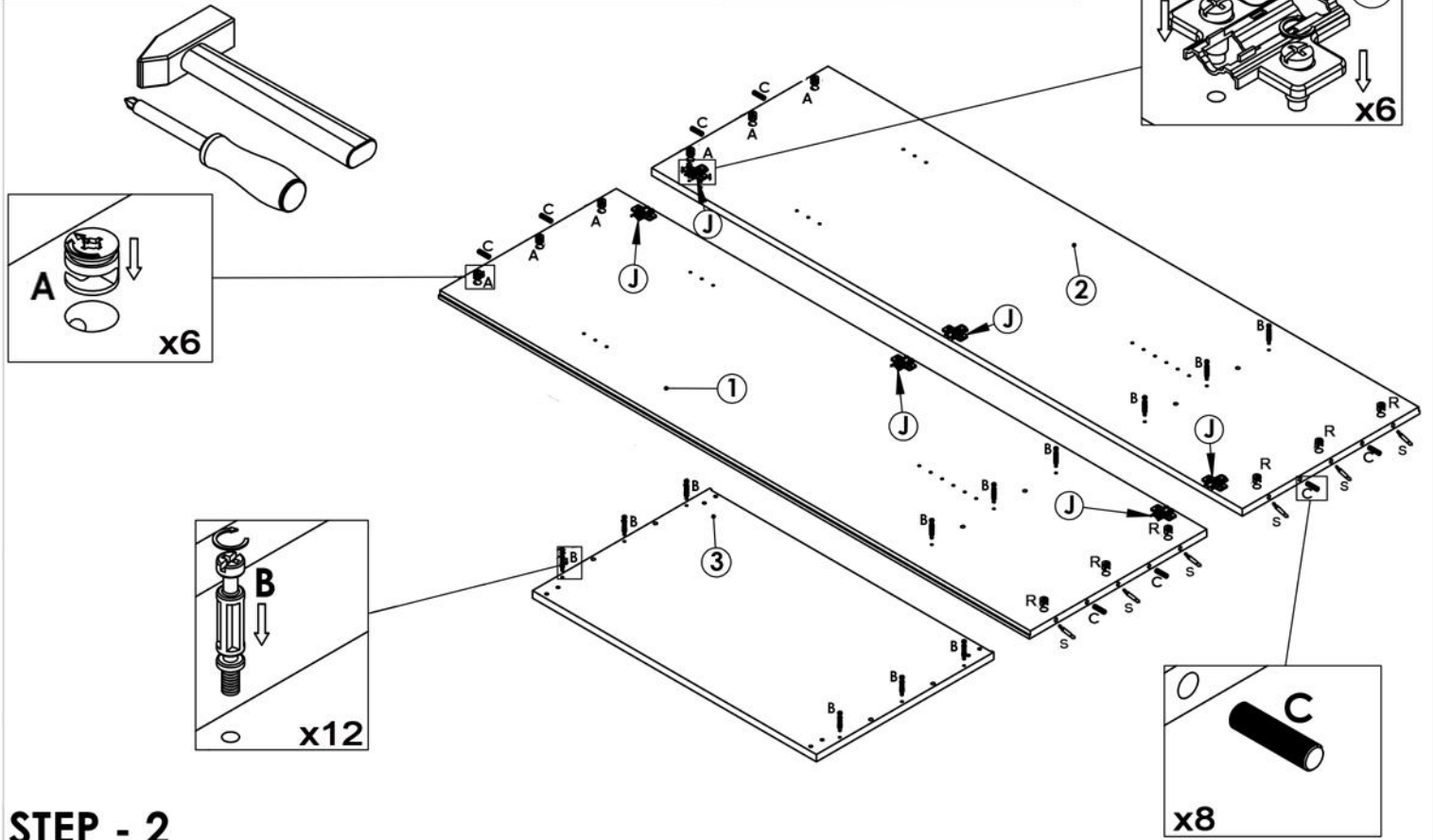


"BOPITA"
LION INTERNATIONAL B.V.
 ENERGIEWEG 1
 6662 NS ELST GLD
 NEDERLAND
www.bopita.com







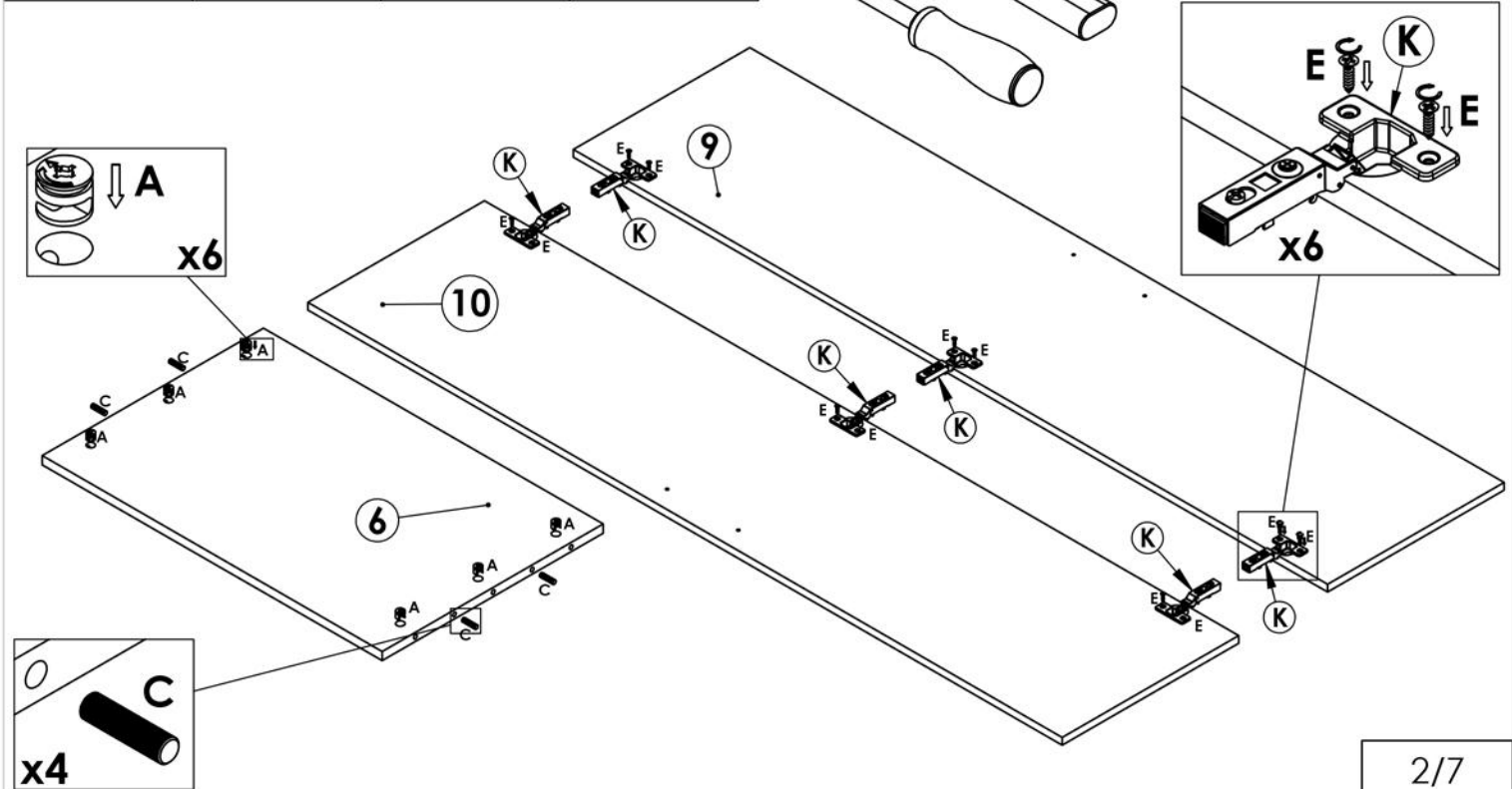
STEP - 1

		 8x30		 TITUS	 TITUS
A x 6	B x 12	C x 8	J x 6	R x 6	S x 6

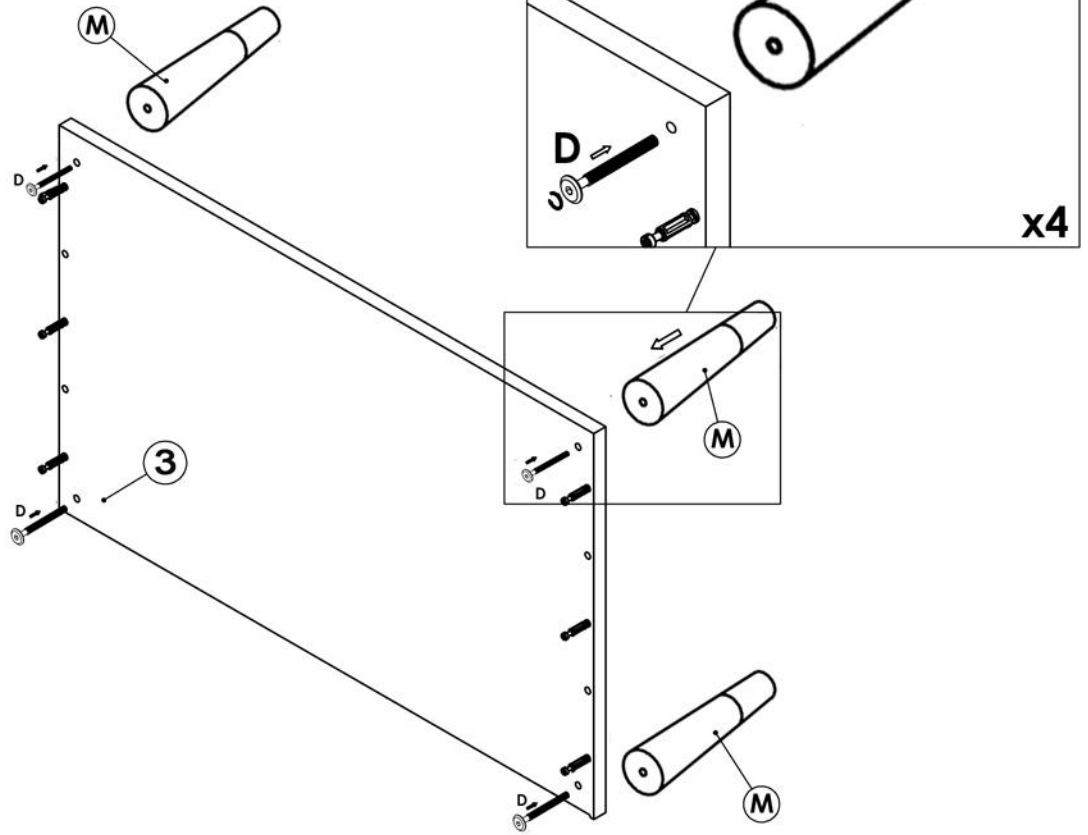
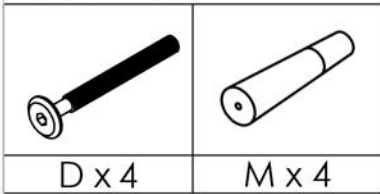


STEP - 2

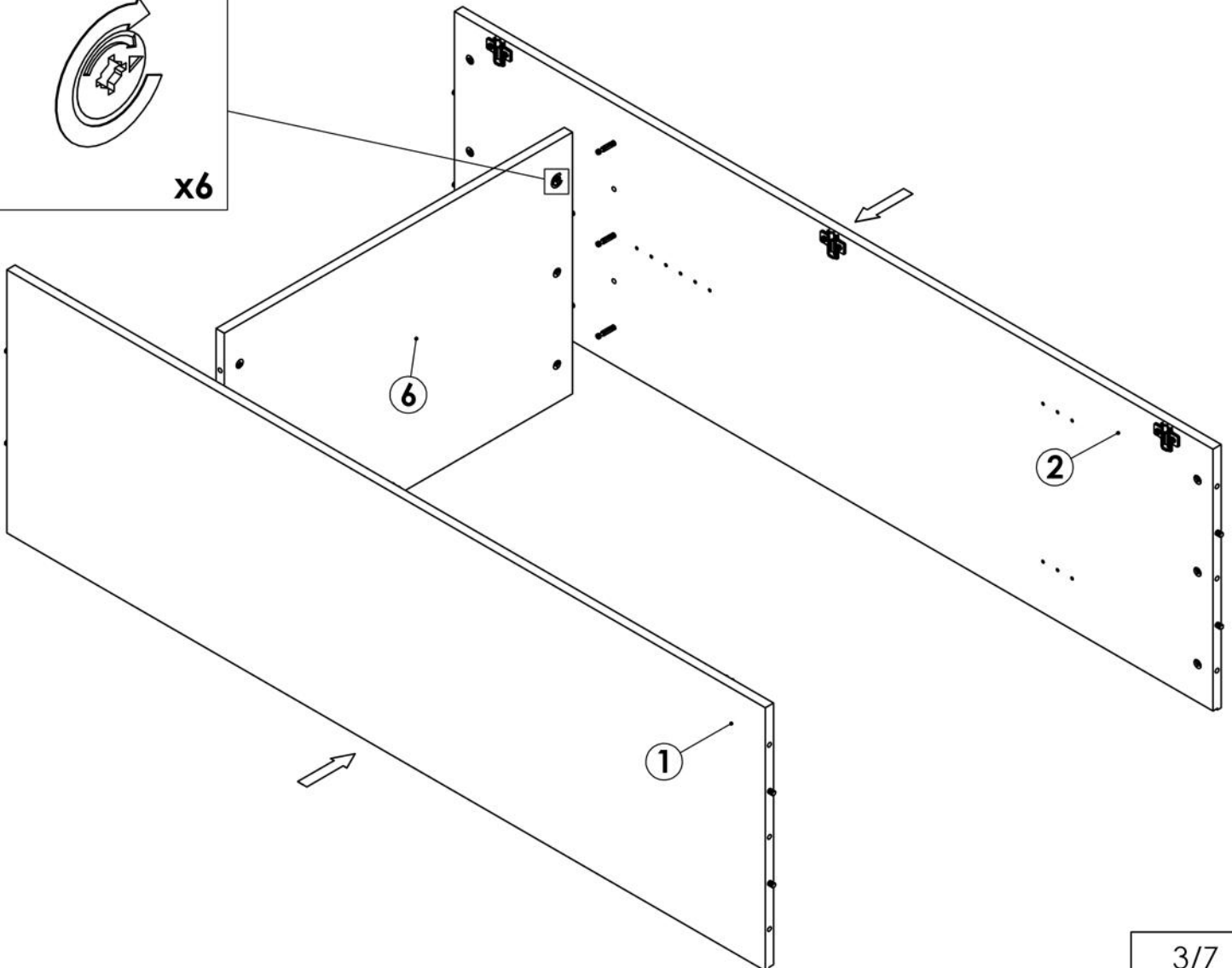
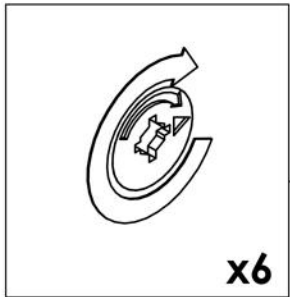
	 8x30	 3,5x13	
A x 6	C x 4	E x 12	K x 6



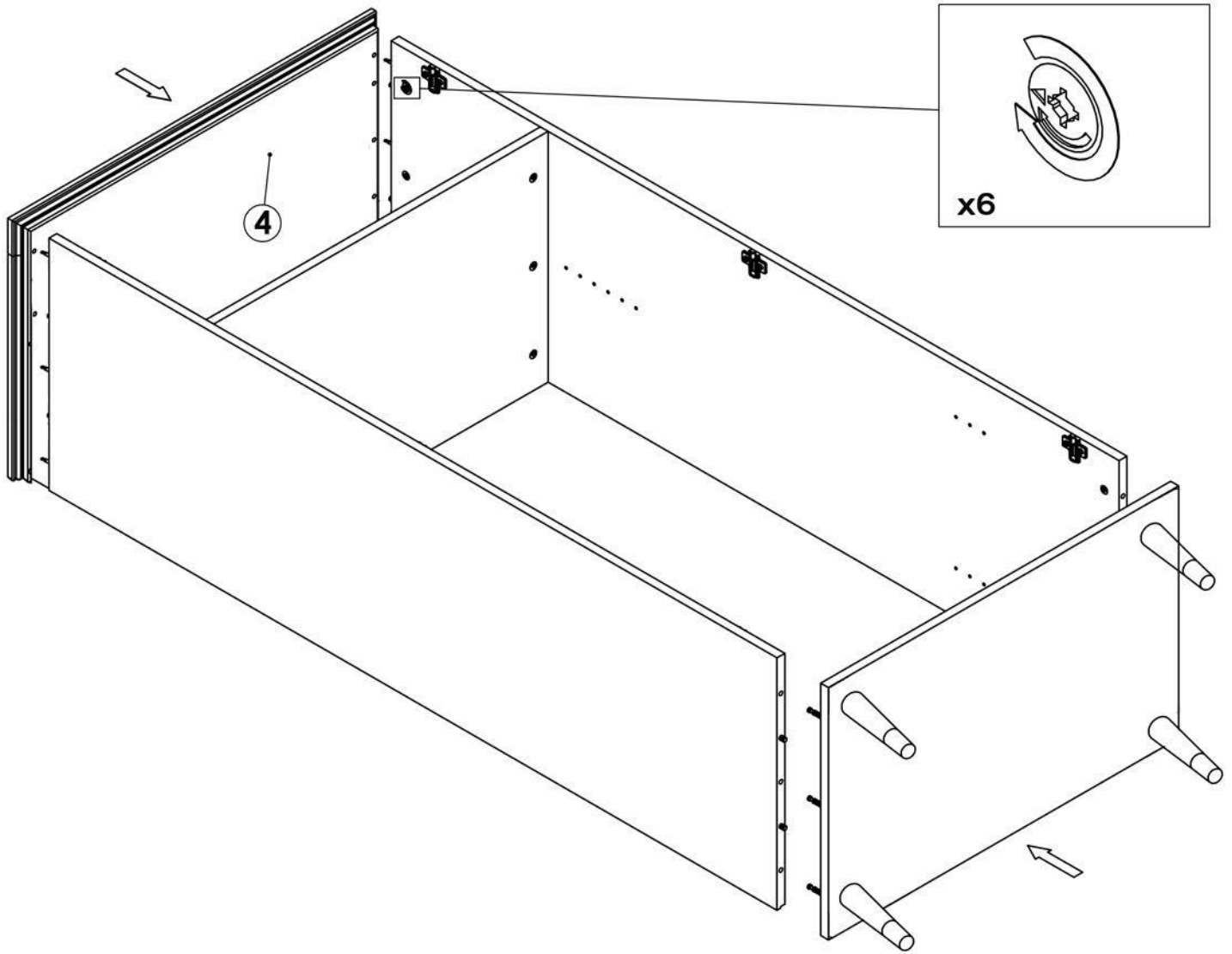
STEP - 3



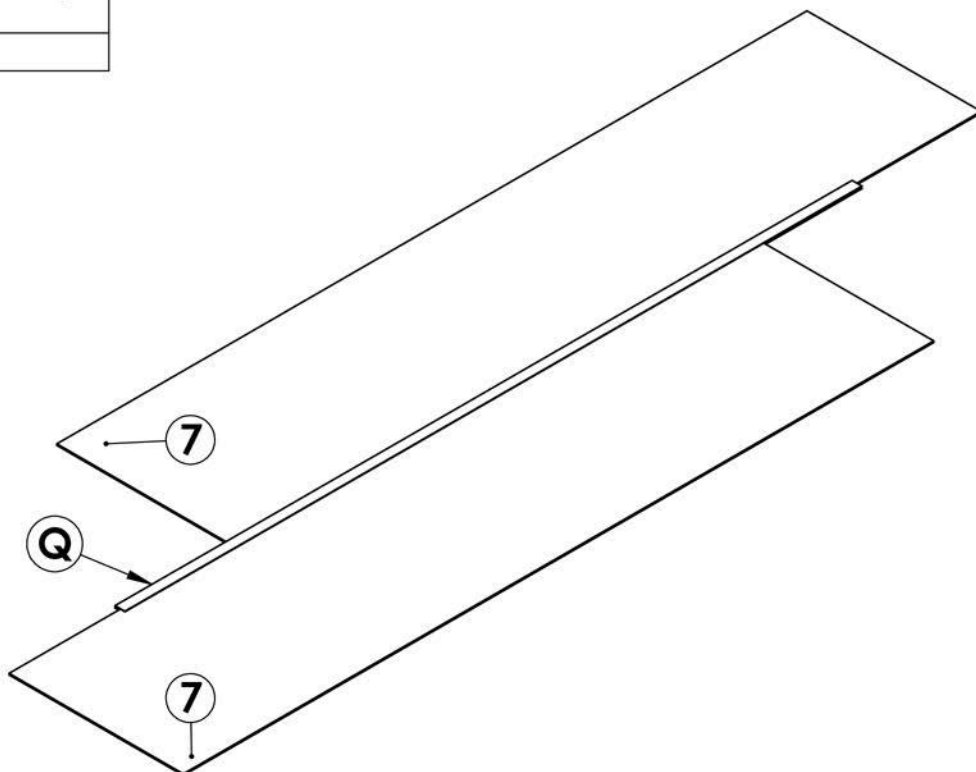
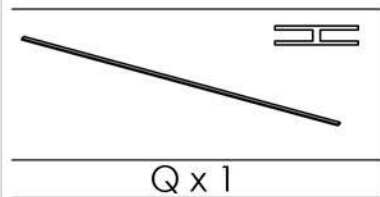
STEP - 4



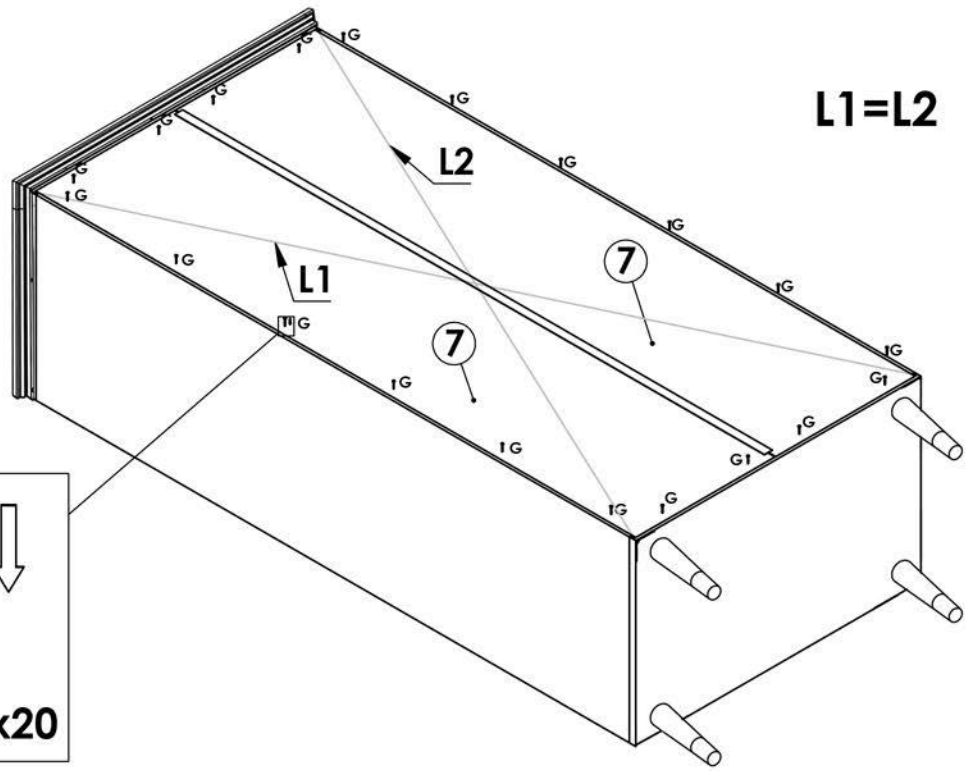
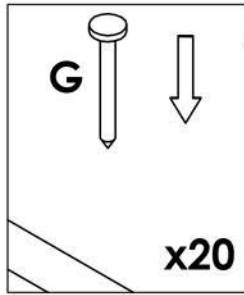
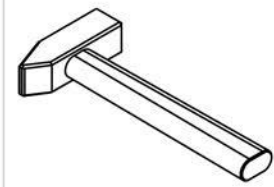
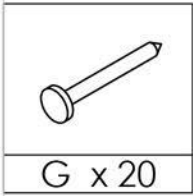
STEP - 5



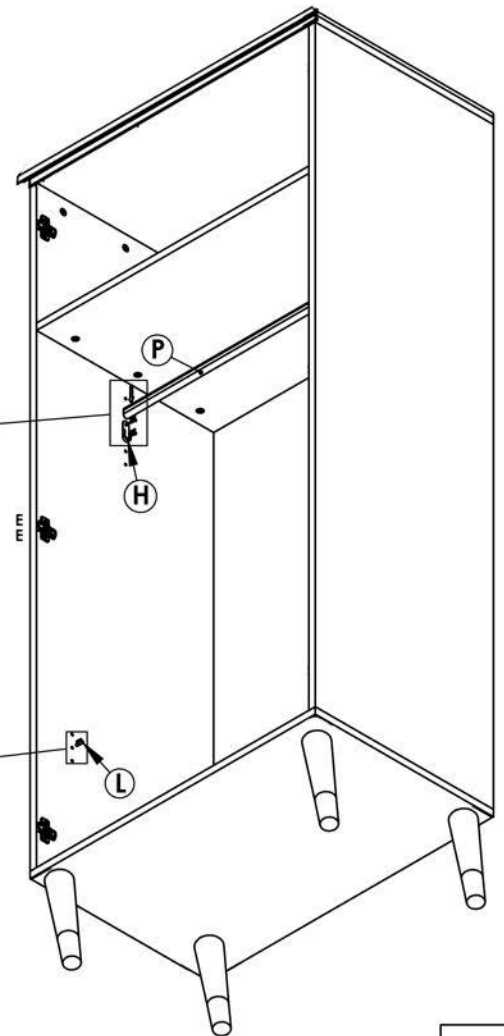
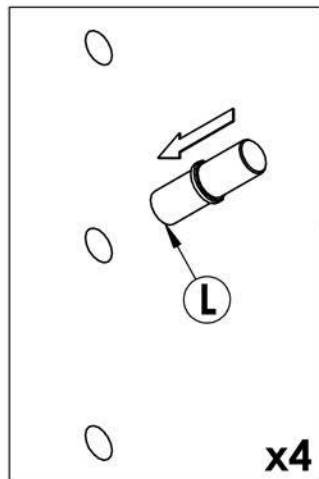
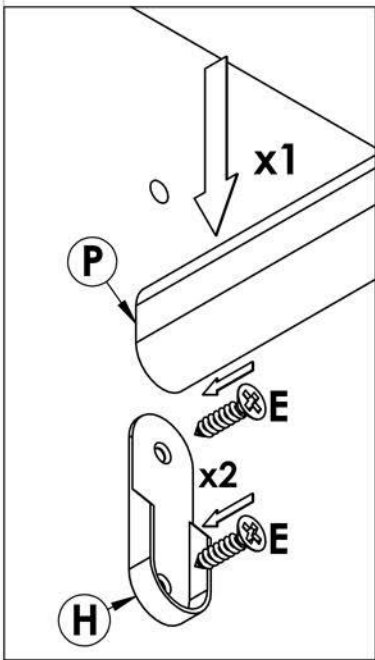
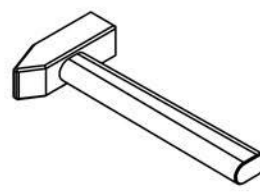
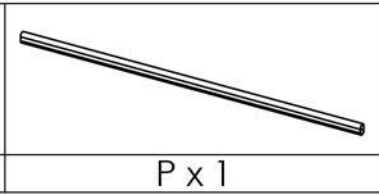
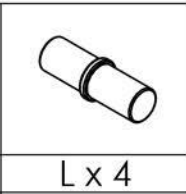
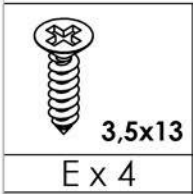
STEP - 6



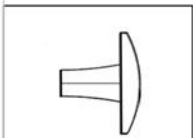
STEP - 7



STEP - 8



STEP - 9

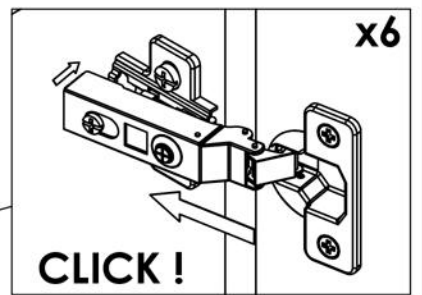
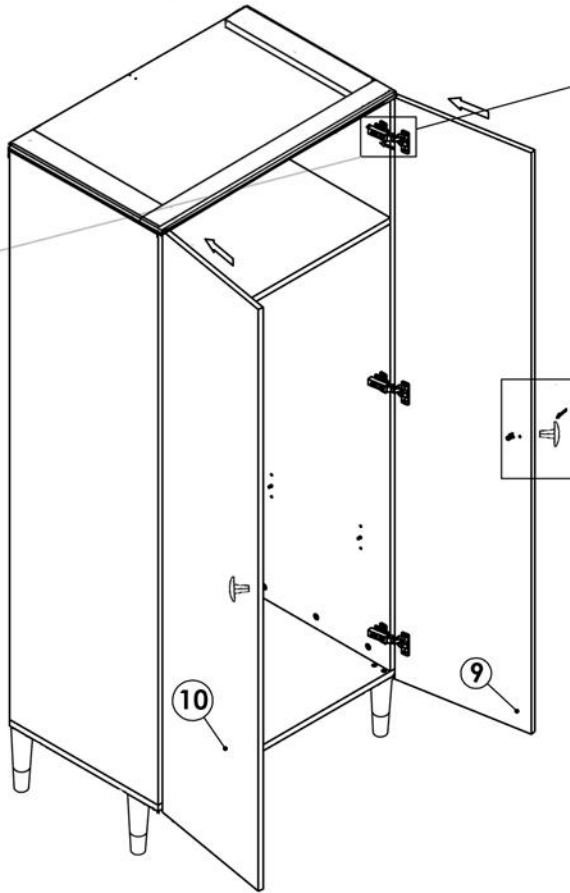
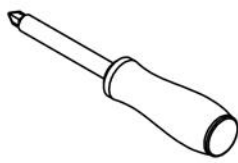
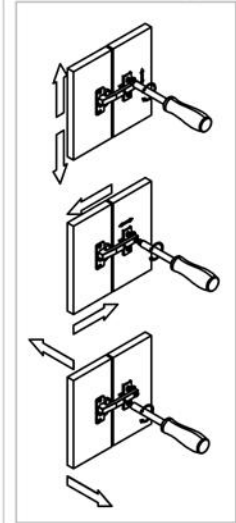


1x2



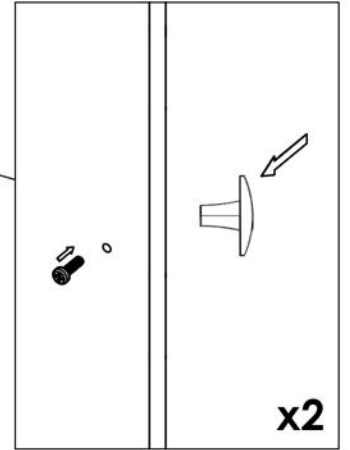
4x22

T x 2



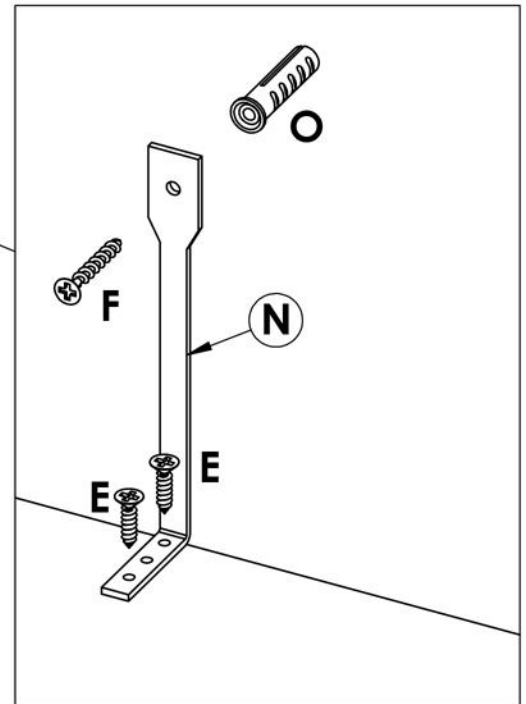
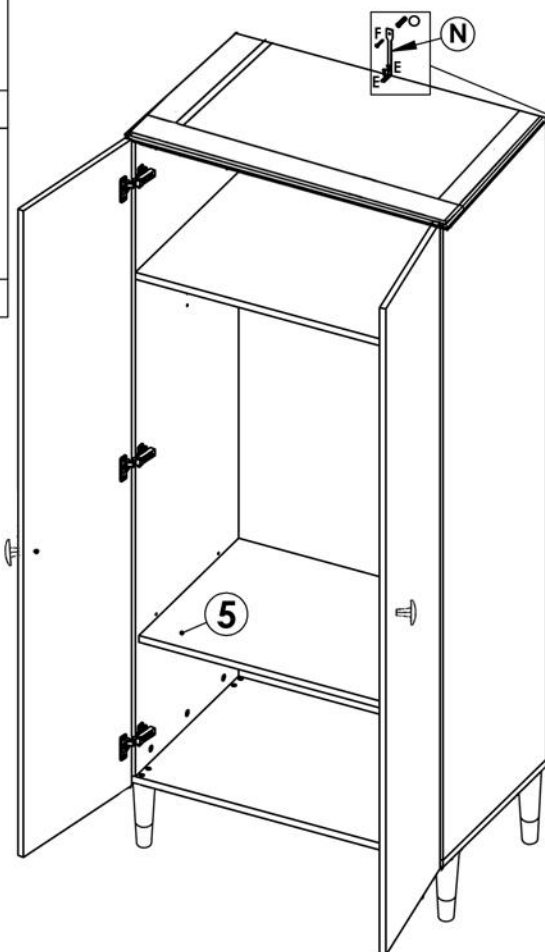
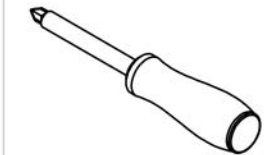
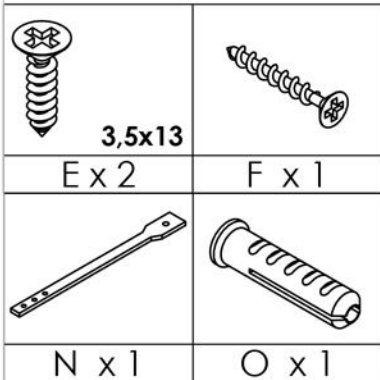
x6

CLICK!



x2

STEP - 10



QC-CODE

(UK) for service requests

(NL) voor service vragen

(FR) pour les demandes de service

(DE) für Service Anfragen

(ES) para consultas de servicio

(IT) per richieste di assistenza

